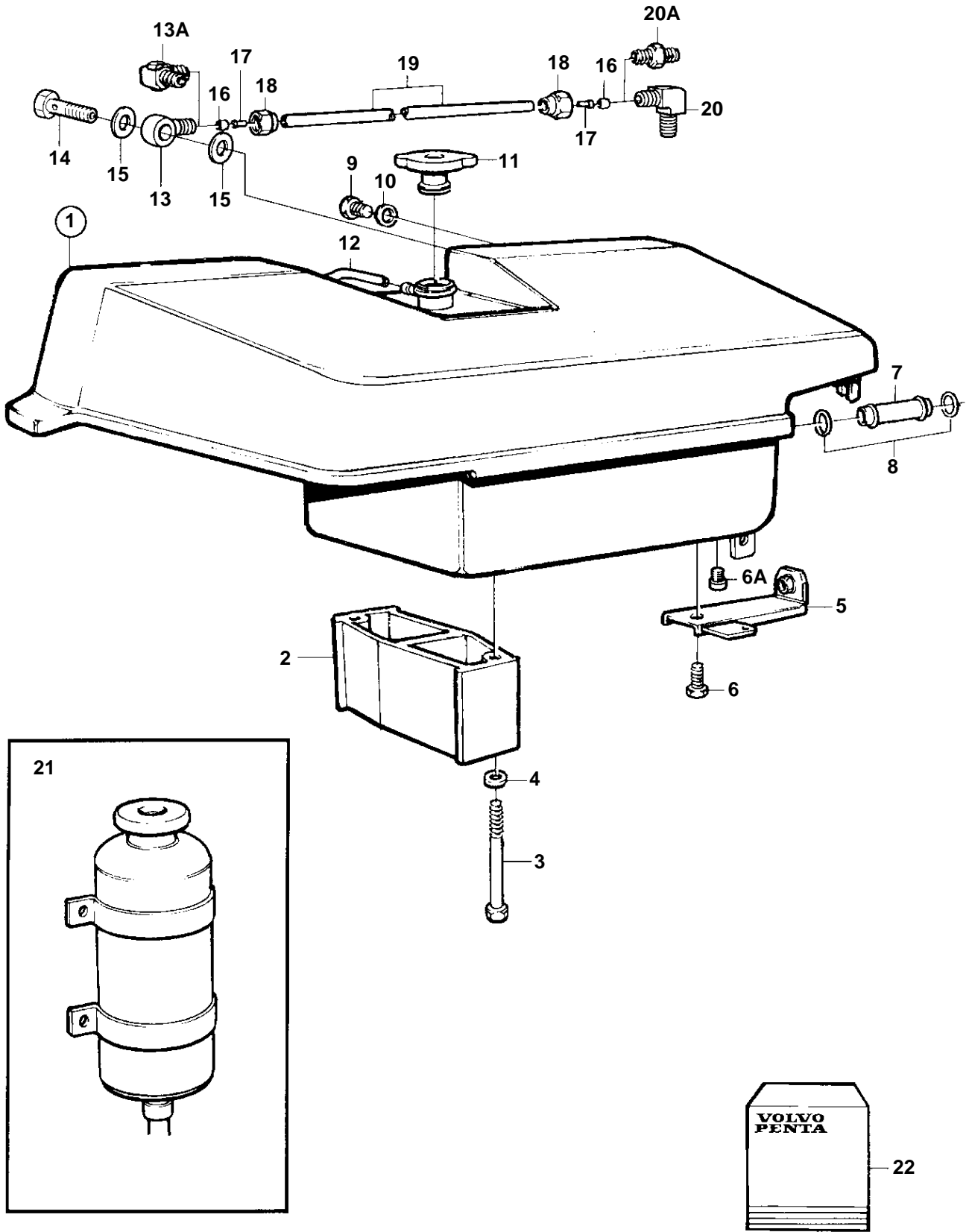


TAMD71B



TAMD71B

REF	PART NO.	QTY	DESCRIPTION	SEE SEC.	NOTES
1	848809	1	Expansion tank		SN-1030027/XXXXX. Replaced by 1 ea expansion tank 3825381, 1 ea conversion kit 876679 for electric box and 1 ea plug 479956 to be mounted under the expansion tank.
				530	
	864289	1	Expansion tank		GREEN SN1030028/XXXXX-. Replaced by 1 ea expansion tank 3825381, 1 ea conversion kit 876679 for electric box and 1 ea plug 479956 to be mounted under the expansion tank.
	3825381	1	Expansion tank		BLACK SNXXXXXXXXXXXX/78543-
2	848516	2	Spacer plate		
3	965217	4	Flange screw		
4	941907	4	Spring washer		
5	864414	1	Bracket		EARLY TYPE. For electric box 864500.
					SN1030028/XXXXX-
6	967949	2	Screw		EARLY TYPE. For electric box 864500.
					SN1030028/XXXXX-
6A	479956	1	Plug		LATE TYPE
					SNXXXXXXXXXXXX/78543-
7	848519	1	Tube		
8	471626	2	Sealing ring		
9	966142	1	Plug		EARLY TYPE. Install in the lower hole.
	861551	1	Plug		LATER PROD (192134). Install in the upper hole.
10	957175	1	Gasket		FOR 966142
11	845879	1	Cover		Filler Cap, extra expansion tank see group 90.
12	192618	X	Hose		L=800mm
13	945417	1	Nipple		LATE TYPE
13A	479958	1	Elbow nipple		EARLY TYPE (329638). Install in the upper hole.
14	969299	1	Hollow screw		LATE TYPE. Install in the lower hole.
15	11994	2	Gasket		LATE TYPE. Install in the lower hole.
16	954364	2	Fitting		
17	944717	2	Sleeve		
18	954356	2	Cap nut		
19	945460	X	Plastic pipe		L=125mm. Expansion tank-thermostat housing.
20	954385	1	Elbow nipple		Install in the upper hole.
20A	954378	1	Fitting		EARLY TYPE
21		1	Expansion tank	532	
22	876679	1	Conversion kit		SEE GROUP 30